



## Needle & Gauge Valves



# Bar Stock Needle Valve

## NVB series

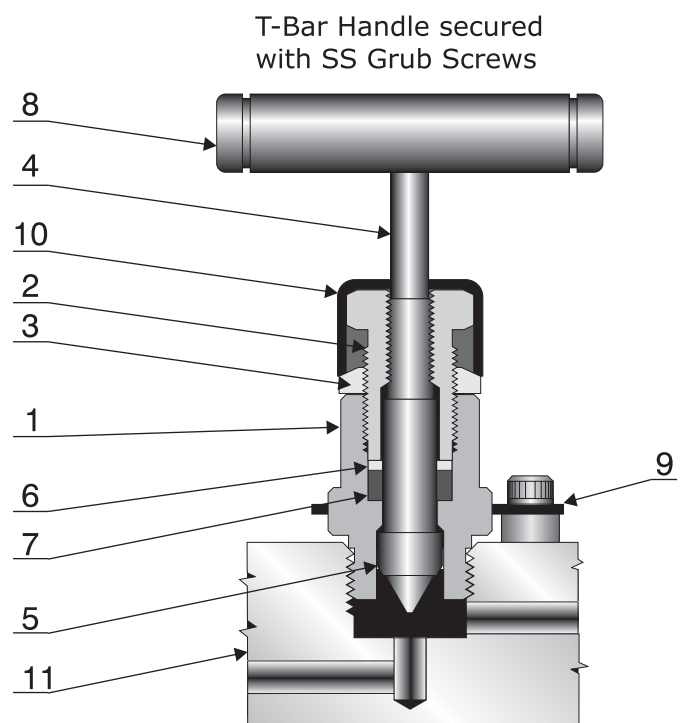
**H**AVI Bar Stock Needle Valves are manufactured from Bar Stock and are 100% factory tested for better reliability and consistency in Leak Proof Performance. Since the orifice is small and the force advantages of the fine-threaded stem is high, needle valves are usually easy to shut off completely, with merely "finger tight " pressure. Small, simple needle valves are often used as bleed valves in hot water heating applications.

### Features

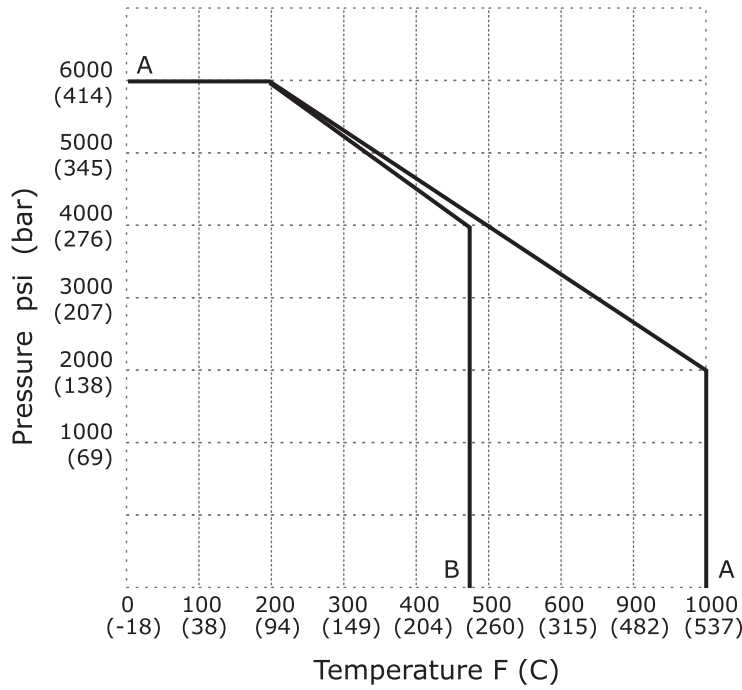
- Working Pressure of 6000 psig
- Non Rotating Vee type design to eliminate rotation between seat and tip
- Available in Straight, angle and Cross Pattern
- Stainless Steel Construction with options of packing for high temperature application
- Colour coded Dust Caps for identification of Valve type
- 100% factory Tested
- Valves tested in accordance with BS EN 12266-1 which was earlier BS 6755 Pt-1
- Metal to Metal Seating for constant compression
- Thread rolled and Burnished Stem
- Hardened Tip for extended Leak Proof Life

### Bonnet Design

Sl. No.	Description	Qty.	M.O.C
1.	Bonnet	1.	A479-316 / A-105
2.	Pusher	1.	A479-316 / A-105
3.	Check Nut	1.	A479-316 / A-105
4.	Spindle	1.	A479-316 / A-105
5.	Spindle Tip	1.	A479-316 / A-105
6.	Washer	1.	A479-316 / A-105
7.	Packing	1.	PTFE / Graphoil
8.	T - Handle	1.	A479-316 / A-105
9.	Locking Plate	1.	A479-316 / A-105
10.	Dust Cap	1.	L.D.P.E
11.	Body	1.	A479-316 / A-105

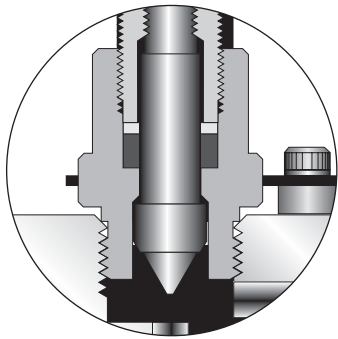


Pressure / Temperature Rating

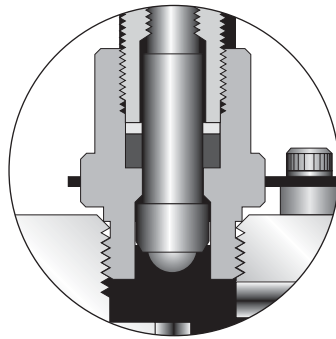


A - A Grafoil Packing  
A - B PTFE (Teflon) Packing

Seat options available



Vee Type

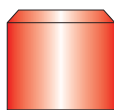


Ball Type

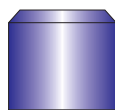
End Connection options available

- Pipe Thread Connections
- Weld Connection
- Tube Fitting Connection
- Socket Weld Connection

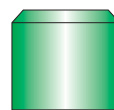
Colour Coding of Dust Caps for Type of Valve



Red  
DRAIN

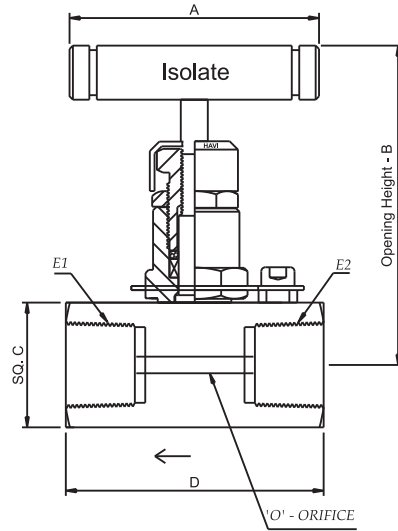


Blue  
ISOLATION



Green  
EQUALISING

# Bar Stock Needle Valves NVB Series

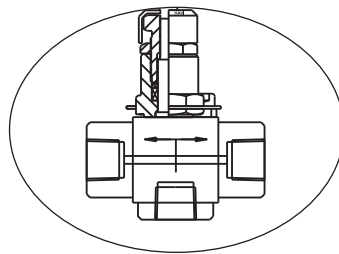


## NVBS series

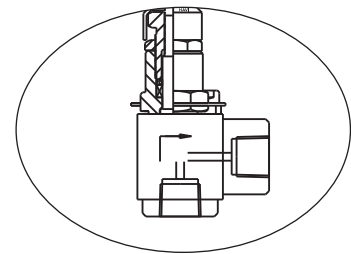
End Conn.	Part No.	End Conn. size		Dimensions are in mm				
		E1	E2	A	B	C	D	O
HAVI Tube Fitting	NVBS-4T	1/4" T	1/4" T	60	68	25	63	4.0
	NVBS-6T	3/8" T	3/8" T	60	68	25	67	4.0
	NVBS-8T	1/2" T	1/2" T	60	68	25	73	4.0
Female Pipe Thread	NVBS-4F	1/4" F	1/4" F	60	66	25	52	4.0
	NVBS-6F	3/8" F	3/8" F	60	66	25	52	4.0
	NVBS-8F	1/2" F	1/2" F	60	79	32	62	4.0
	NVBS-12F	3/4" F	3/4" F	60	82	38	62	4.0
Male Pipe Thread	NVBS-4M	1/4" M	1/4" M	60	66	25	57	4.0
	NVBS-6M	3/8" M	3/8" M	60	66	25	57	4.0
	NVBS-8M	1/2" M	1/2" M	60	79	32	74	4.0
	NVBS-12M	3/4" M	3/4" M	60	82	38	78	4.0

## NVBC series

## NVBA series



Cross Type

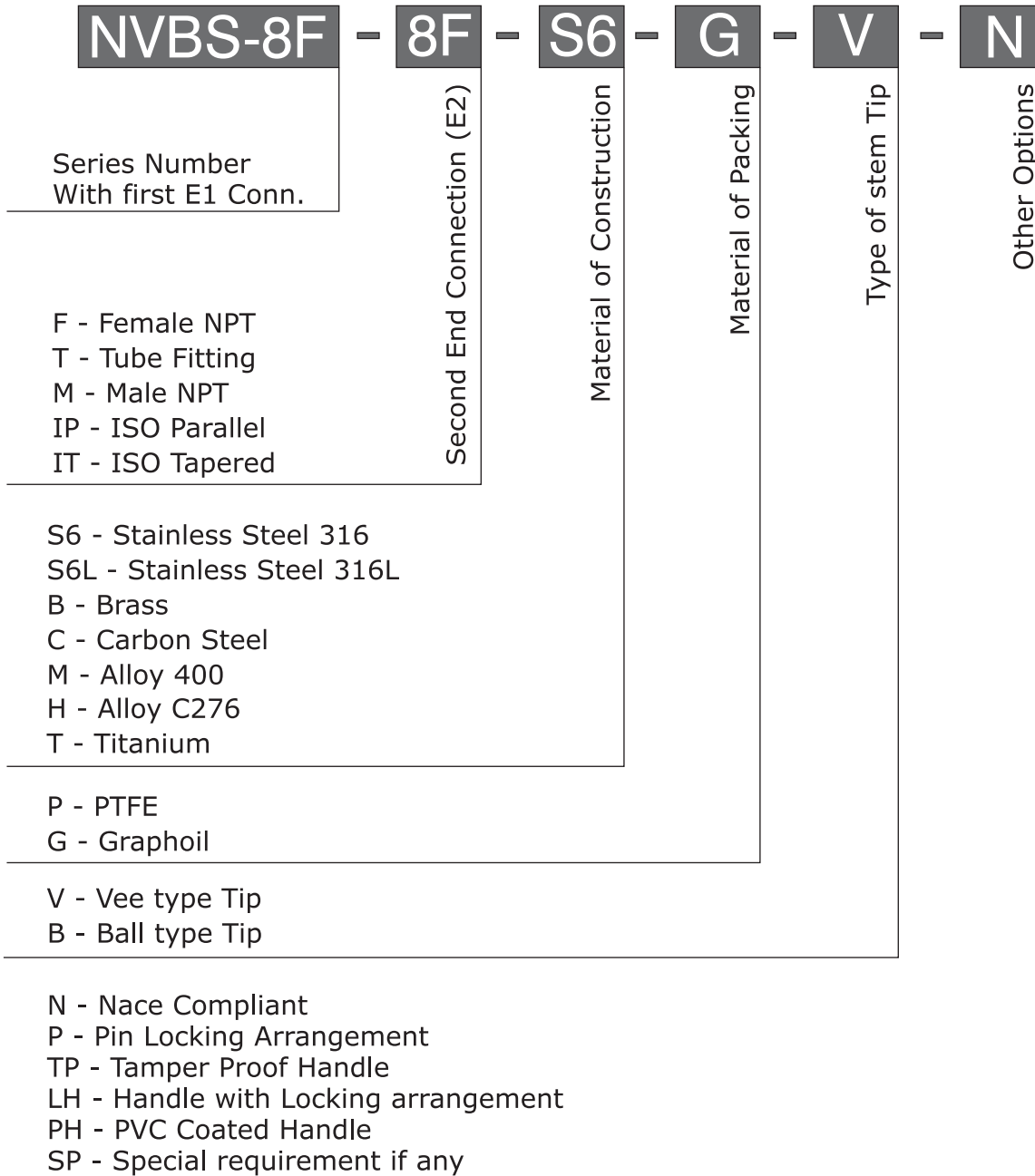


Angle Type

Valves with different ends and flow direction on request.

Dimensions are for reference only and are for development without notice.

## Ordering Information



# Forged Needle Valve

## NVF series

**H**avi Forged Needle Valve series has a Forged Body with Integral as well as Screwed Bonnet design with PTFE and Metal packing in the Stem. This Valves gives a Leak proof service for pressures upto 6000 psig. These Valves are available in both straight type as well as Angle type configuration, with choice of End Connection starting from Tube end type to Male and Female Pipe threads.

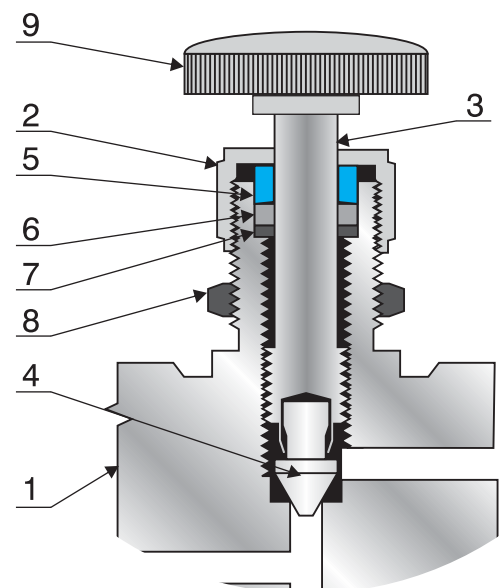
As a standard Needle valves has a relatively small orifice with a long, tapered, conical seat. A needle-shaped plunger, on the end of a screw, exactly fits this seat. As the screw is turned and the plunger retracted, flow between the seat and the plunger is possible; however, until the plunger is completely retracted the fluid flow is significantly impeded. Therefore, and since it takes many turns of the fine-threaded screw to retract the plunger, precise regulation of the flow rate is possible.

### Features

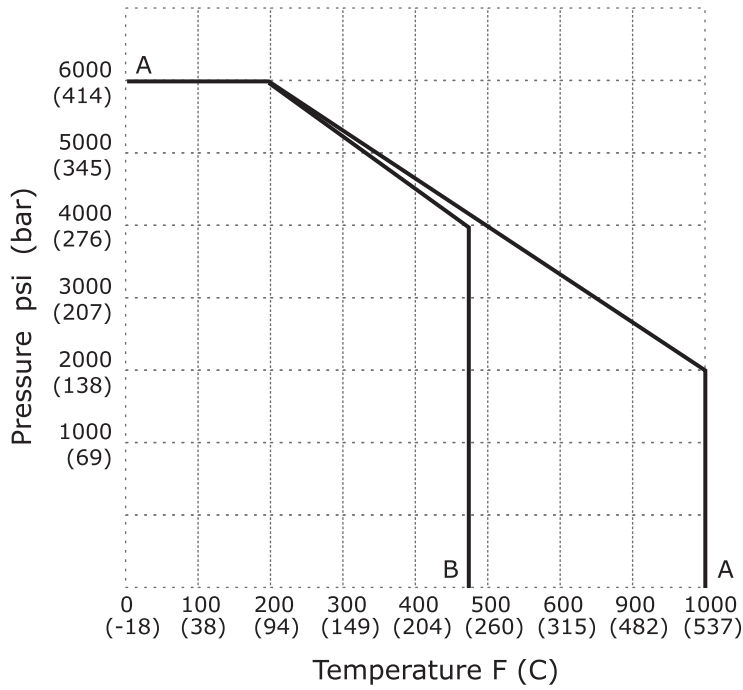
- Working Pressure of 6000 psig
- Non Rotating Vee type design to eliminate rotation between seat and tip
- Available in Straight, angle and Cross Pattern
- Stainless Steel Construction with options of packing for high temperature application
- Colour coded Dust Caps for identification of Valve type
- 100% factory Tested
- Valves tested in accordance with BS EN 12266-1 which was earlier BS 6755 Pt-1
- Metal to Metal Seating for constand compression
- Thread rolled and Burnished Stem
- Hardened Tip for extended Leak Proof Life

### Bonnet Design

Sl. No.	Description	Qty.	M.O.C
1.	Body	1.	ASTM A 182
2.	Gland Nut	1.	A479-316 / A-105
3.	Spindle	1.	A479-316 / A-105
4.	Spindle Tip	1.	A479-316 / A-105
5.	Gland	1.	A479-316 / A-105
6.	Packing	1.	PTFE / Graphoil
7.	Washer	1.	A479-316 / A-105
8.	Check Nut	1.	A479-316 / A-105
9.	Handle	1.	Bakelite



## Pressure / Temperature Rating



A - A Grafoil Packing  
A - B PTFE (Teflon) Packing

## End Connection options available

Pipe Thread Connections

weld Connection

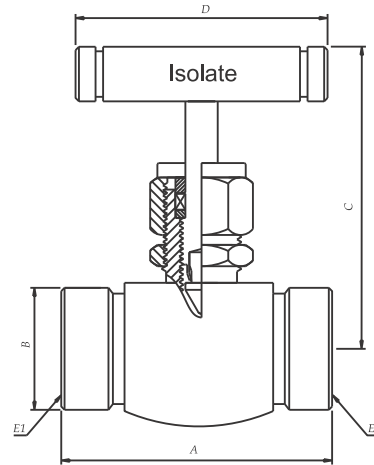
Tube Fitting Connection

Socket Weld Connection

## Testing

HAVI Forged Body Needle Valves are Hydraulically tested to Body, Seat and Shell Leak test to 7,800 psig (i.e 1.3 times the working Pressure). All Valves are 100% Factory Tested with the help of SCADA based Testing Machine.

# Forged Needle Valves NVF Series



NVFS series

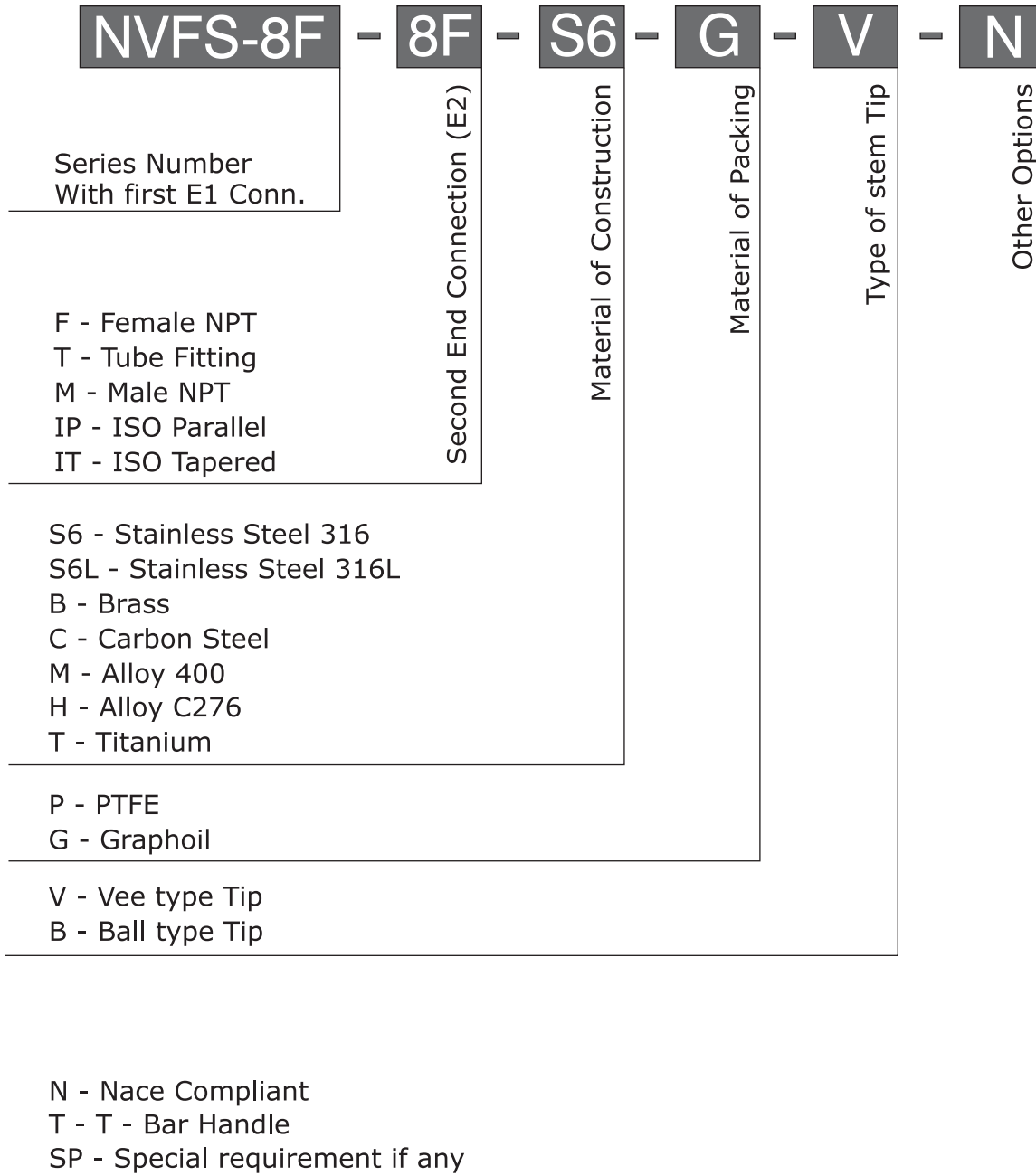
End Conn.	Part No.	End Conn. size		Dimensions are in mm	
		E1	E2	A	O
HAVI Tube Fitting	NVFS-4T	1/4" T	1/4" T	56	4.0
	NVFS-6T	3/8" T	3/8" T	56	4.0
	NVFS-8T	1/2" T	1/2" T	56	4.0
Female Pipe Thread	NVFS-4F	1/4" F	1/4" F	56	4.0
	NVFS-6F	3/8" F	3/8" F	56	4.0
	NVFS-8F	1/2" F	1/2" F	68	4.0
Male Pipe Thread	NVFS-4M	1/4" M	1/4" M	56	4.0
	NVFS-6M	3/8" M	3/8" M	56	4.0
	NVFS-8M	1/2" M	1/2" M	68	4.0



Valves with different choice of End Connection could be manufactured upon request.  
Dimensions are for reference only and can change for development without notice.

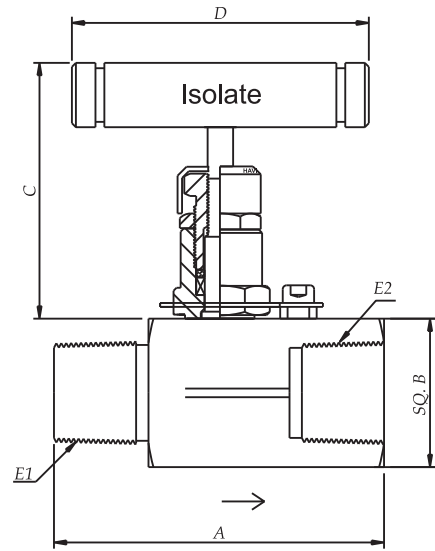


## Ordering Information



## GV series

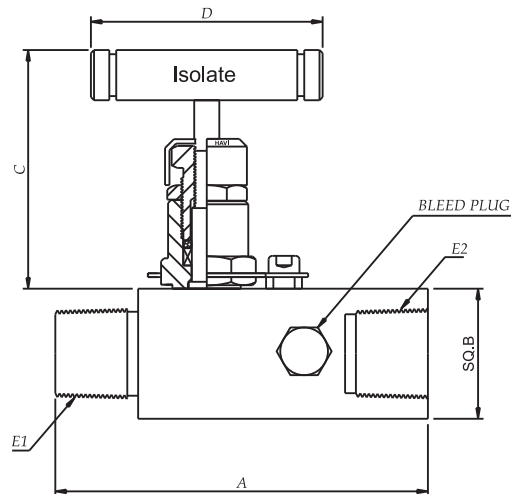
### Gauge Needle Valve



E1	E2	A	B	C	D
1/4" M	1/4" F	57	25	66	60
1/2" M	1/2" F	87	32	66	60

## GVB series

### Gauge Needle Valve with Bleed Plug

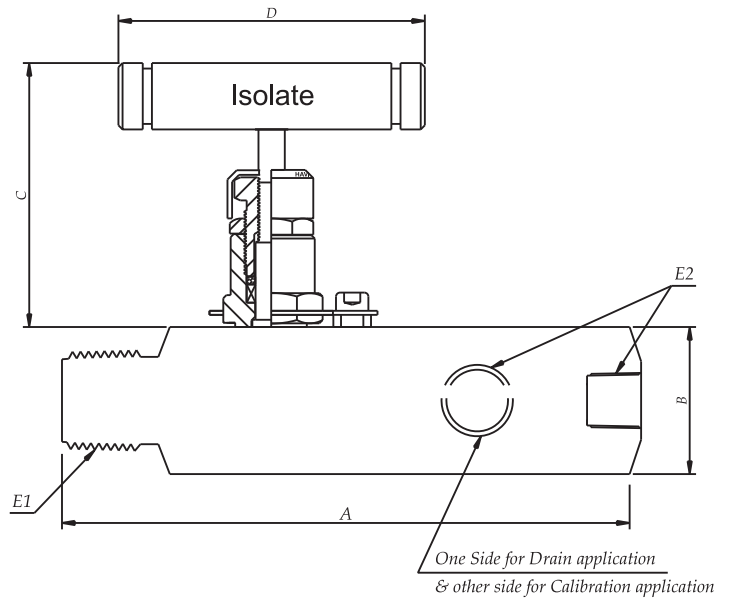


E1	E2	A	B	C	D
1/4" M	1/4" F	67	25	66	60
1/2" M	1/2" F	94	32	66	60

# Instrument Gauge Valves

## GRVA series

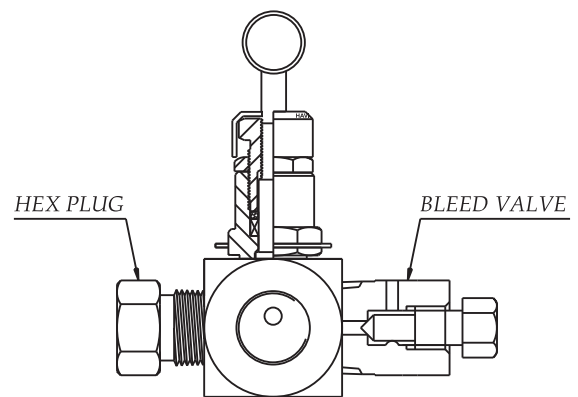
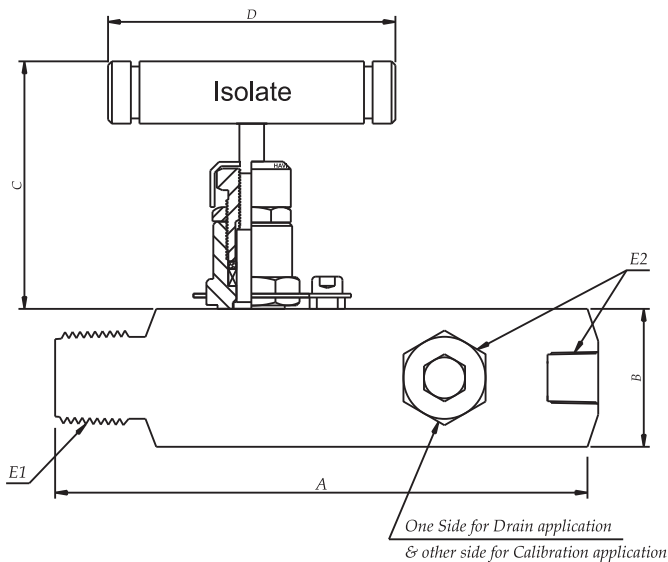
### Gauge Root Valve type - A



E1	E2	A	B	C	D
1/4" M	1/4" F	105	25	66	60
1/2" M	1/2" F	125	32	66	60

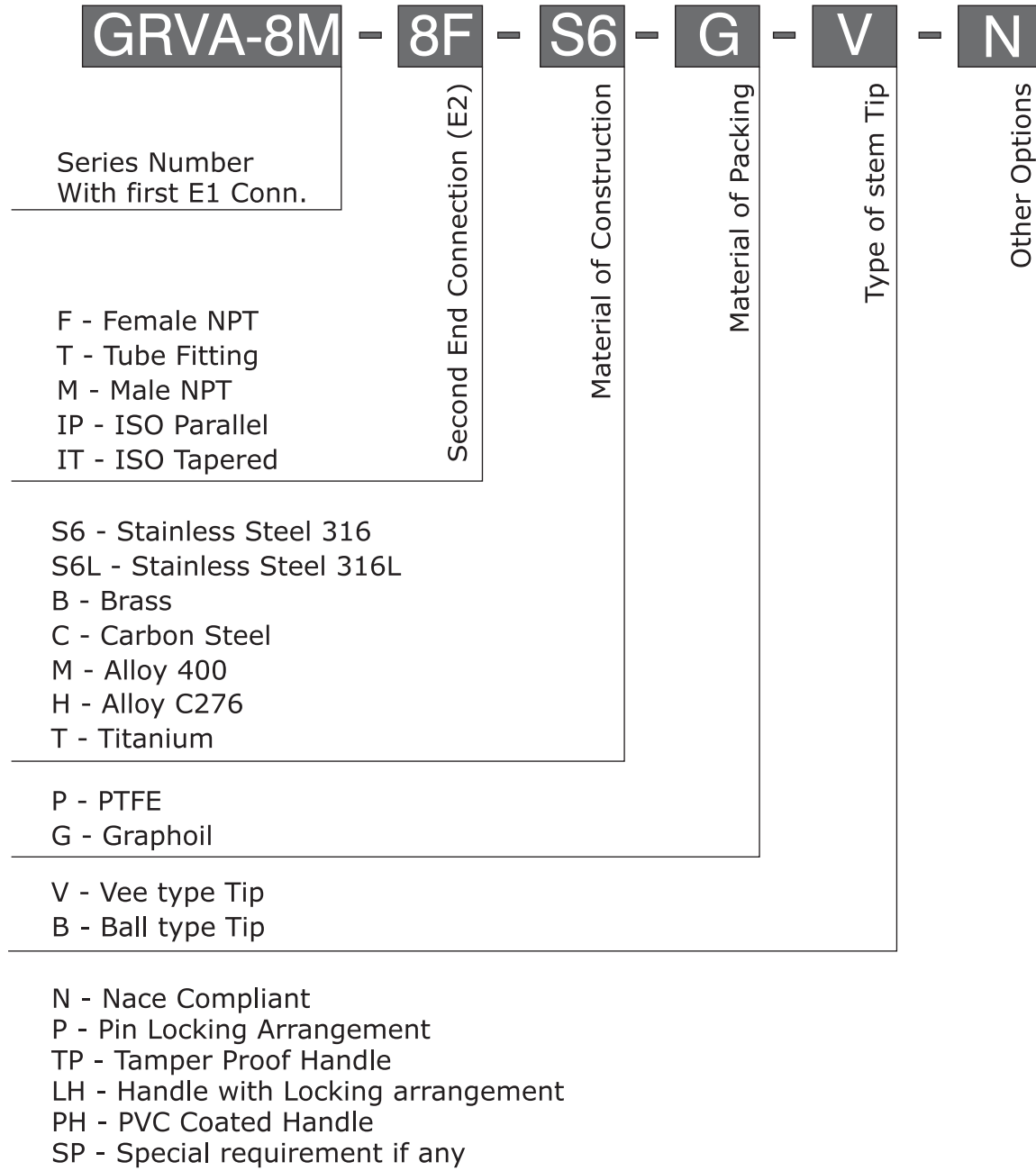
## GRVB series

### Gauge Root Valve type - B



E1	E2	A	B	C	D
1/4" M	1/4" F	105	25	66	60
1/2" M	1/2" F	125	32	66	60

## Ordering Information





Fittings & Valves

**vipal enterprises pvt. ltd.**

**Registered Office:**

302, Chandralok - A,  
97, Nepeansea Road,  
Mumbai 400006.

India

Tel.: +91 22 32656565

Email: sales@havi.in

**Works:**

32, 34, Blue Chip No.5 Industrial Estate,  
Opp Professional Courier,  
Sativali Road, Vasai (East),  
Thane 401208, Maharashtra,  
India

Tel.: +91 22 32656565

Fax: +91 250 3027271

Email: sales@havi.in

**Website: [www.havi.in](http://www.havi.in)**